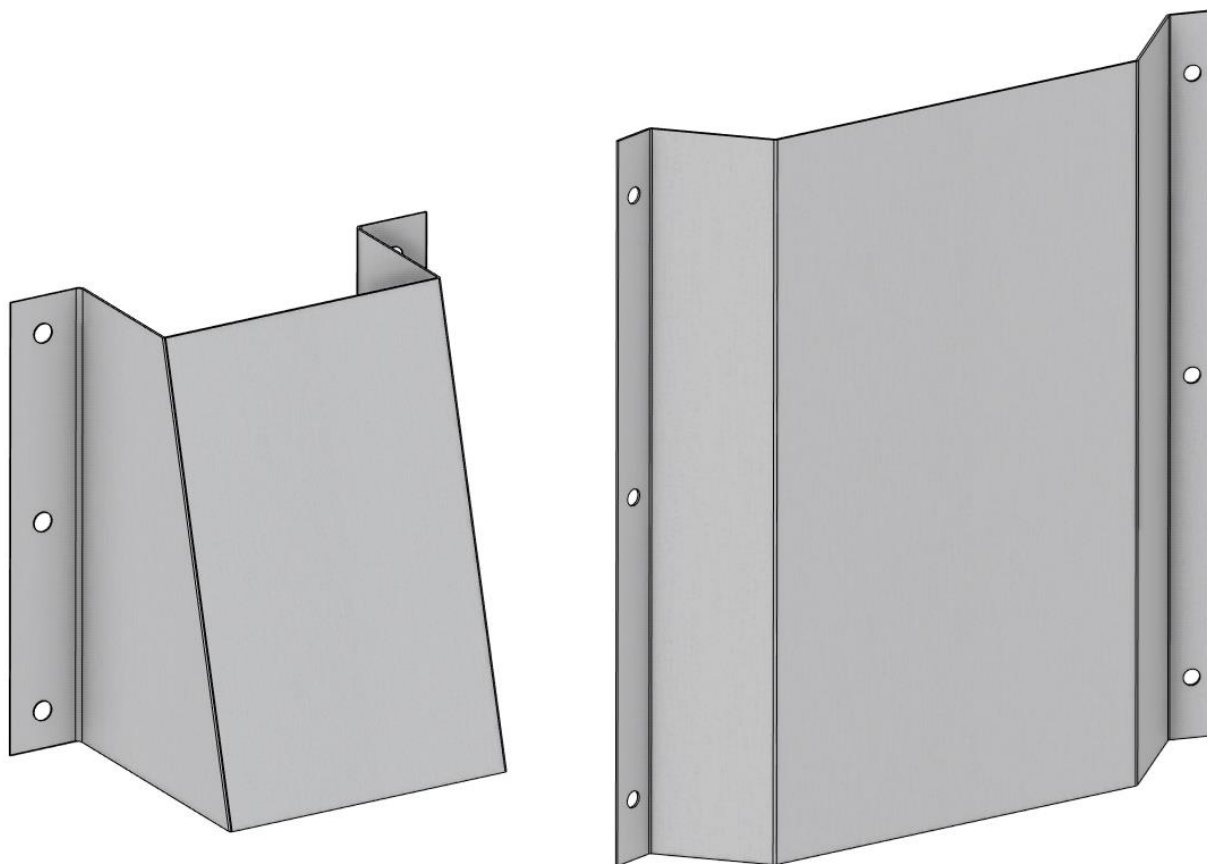


## **Deflector VDE**



### **DESCRIPTION:**

VDE deflectors used at inlets to limit the inflow to the opposite wall and calm the flow in the chamber.

### **MATERIALS:**

Construction made of stainless steel, e.g. AISI 304/304L - 1.4301/1.4307, acid-resistant AISI 316/316L - 1.4401/1.4404, aluminum or any other, depending on customer requirements and mounting conditions.

### **MOUNTING:**

Deflectors mounted to the wall using adhesive or expansion anchors.

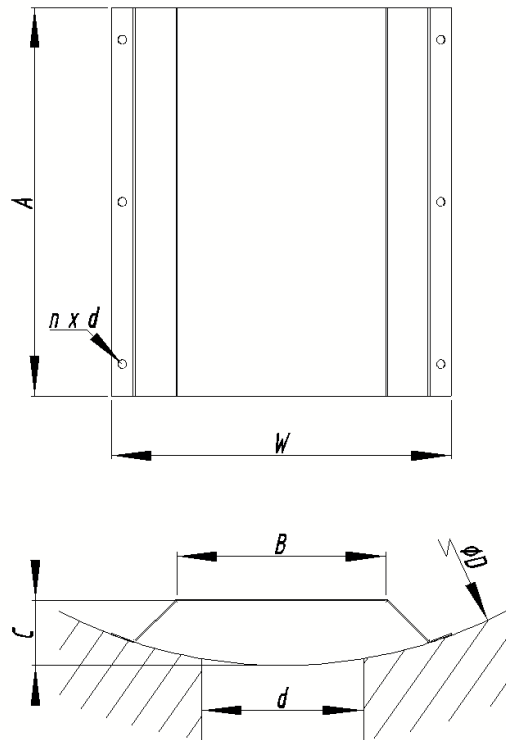
### **ADDITIONAL OPTIONS:**

A number of additional options are available, such as the possibility of removal, blades that allow directing the flow in a specific direction, etc.

### **DOCUMENTATION:**

Standard documentation delivered with the delivery includes: the national declaration of performance, technical and operational documentation along with the operating and assembly instructions. On request, we provide material certificates, welding documents and other according to the customer's needs.

**STANDARD DIMENSIONS:**



Type	Height A [mm]	Width B [mm]	Length C [mm]	Mounting Width W [mm]	Anchors Qty x Size
VDE 50	250	150	50	Depending on D	4 x M10
VDE 100	300	200	50	Depending on D	4 x M10
VDE 160	360	260	80	Depending on D	6 x M10
VDE 200	400	300	100	Depending on D	6 x M10
VDE 250	450	350	125	Depending on D	6 x M10
VDE 315	500	415	160	Depending on D	8 x M10
VDE 400	600	500	200	Depending on D	8 x M10

\*Other sizes available on individual request. It is possible to make a deflector of any size and geometry.

In the order, as a minimum, the diameter of the chamber  $D$ , the diameter of the inlet pipe  $d$  and the material from which the regulator is to be made should be specified. You can also specify additional requirements, if any. On this basis, we will select the optimal deflector.