

Flat PEHD Flap Valve

VKZ-PP



DESCRIPTION:

VKZ-PP check valves are used wherever protection against backflow is required. Used for surface water, rainwater or sewage in sewage systems, canals and drainage ditches. Flaps are mounted on a flat wall.

MATERIALS:

Body, Flap: PEHD

Hinge, ribs: Stainless steel 1.4301 (or any other depending on customer requirements).

Gaskets: EPDM (or other material depending on working conditions, e.g. NBR, VITON or silicone).

Fasteners: A2 (or A4 if required)

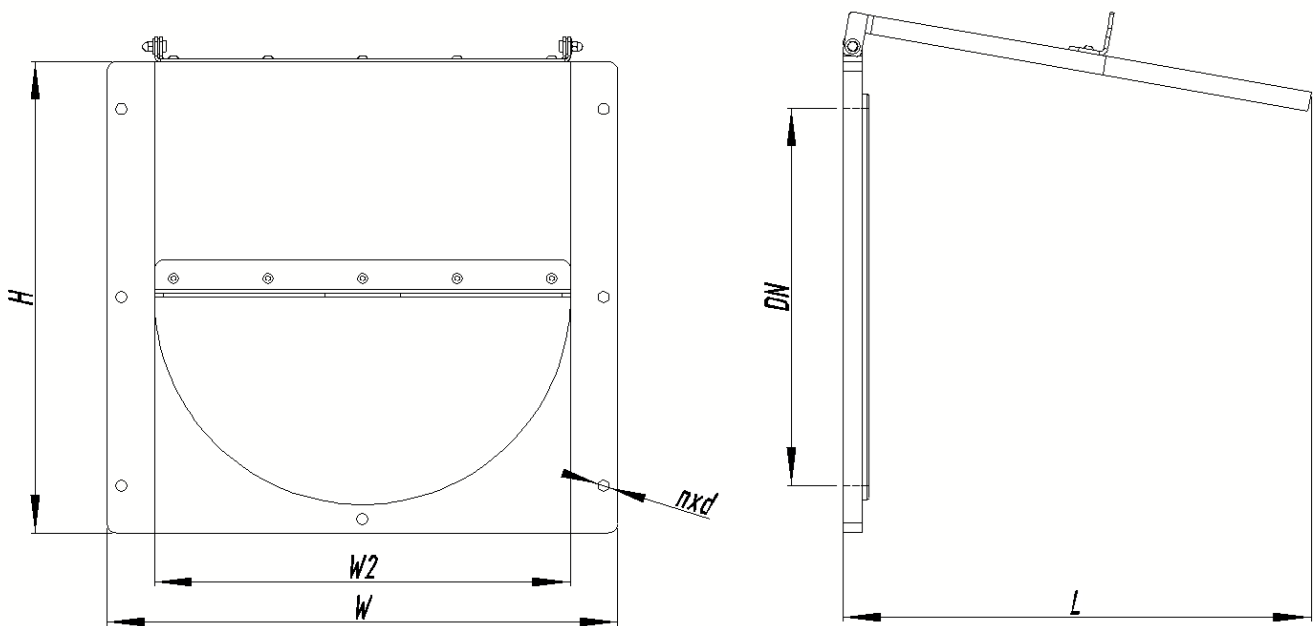
MOUNTING:

Flap valves are mounted on a flat wall using anchors. It is recommended to use adhesive anchors. Sealing to the wall using a porous EPDM gasket or SIKAFLEX type sealant.

ADDITIONAL OPTIONS:

A number of additional options are available depending on customer requirements. These include, among others, the opening lock, opening degree limiter, closing spring, etc.

STANDARD DIMENSIONS:



Type	Nominal Diameter DN [mm]	Base Width W [mm]	Flap Width W2 [mm]	Base Height H [mm]	Length of Opened Flap L [mm]	Anchors qty x size nxd [mm]
VKZ-PP 200	200	340	240	300	300	4 x M10
VKZ-PP 250	250	390	290	350	350	4 x M10
VKZ-PP 315	315	455	355	415	415	6 x M10 + 1 x M10(s)
VKZ-PP 400	400	540	440	500	500	6 x M10 + 1 x M10(s)
VKZ-PP 500	500	640	540	600	600	6 x M12 + 2 x M10(s)
VKZ-PP 630	630	770	670	730	730	8 x M12 + 2 x M10(s)
VKZ-PP 710	710	850	750	810	810	8 x M12 + 2 x M10(s)
VKZ-PP 800	800	940	840	900	900	8 x M12 + 2 x M10(s)
VKZ-PP 900	900	1040	940	1000	1000	10 x M12 + 2 x M10(s)
VKZ-PP 1000	1000	1140	1040	1100	1100	10 x M12 + 2 x M10(s)
VKZ-PP 1200	1200	1340	1240	1300	1300	12 x M12 + 3 x M10(s)

*Other sizes available on individual request. It is possible to make a flap of any size.

** Vortico reserves the right to make changes to suit a specific order.

(s) - Anchor with countersunk head to be installed in a chamfered hole.

DOCUMENTATION:

Standard documentation delivered with the delivery includes: the national declaration of performance, technical and operational documentation along with the operating and assembly instructions. On request, we provide material certificates, welding documents and other according to the customer's needs.