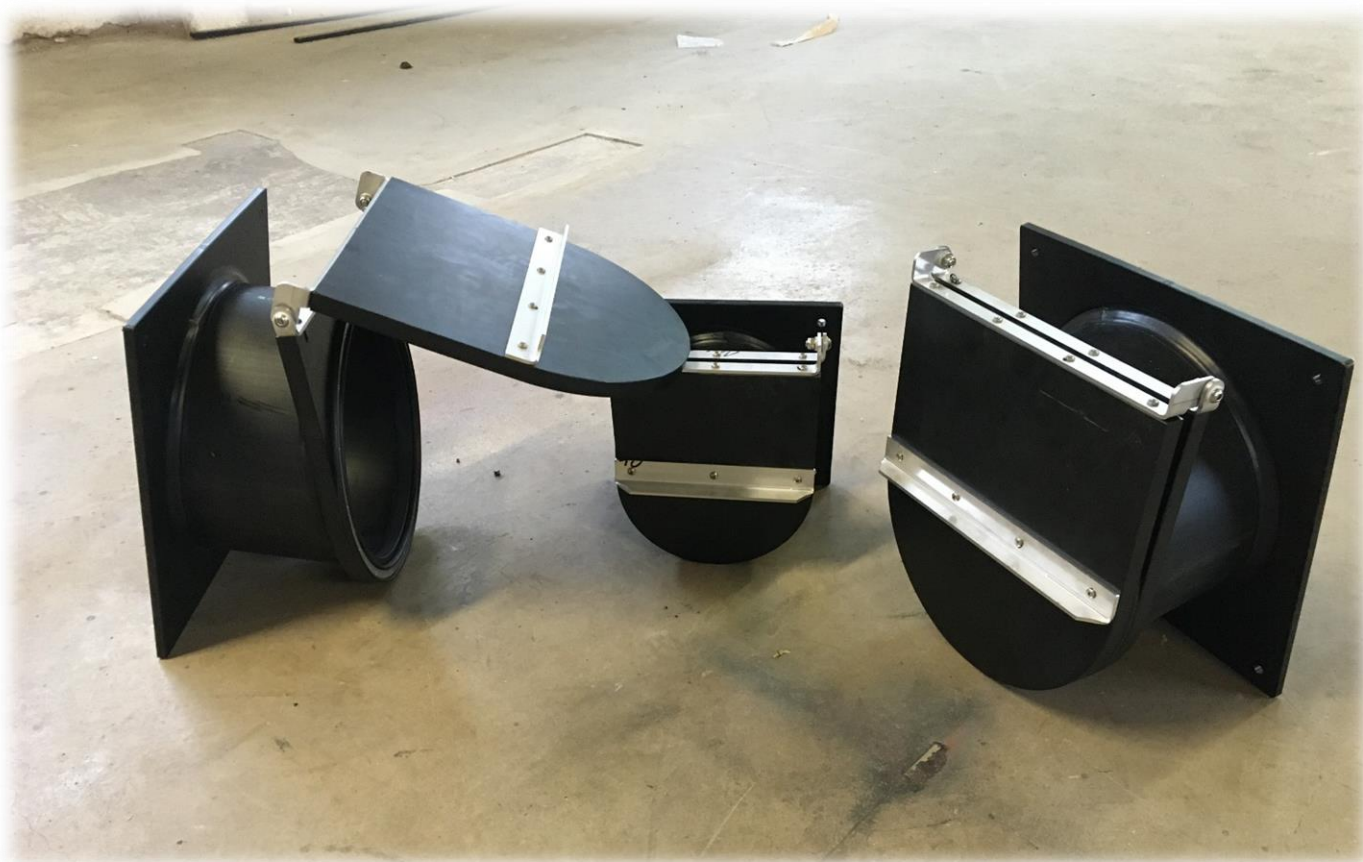


Oblique PEHD Flap Valve VKZ-PS



DESCRIPTION:

VKZ-PS flap valves are used wherever protection against backflow is required. Used for surface water, rainwater or sewage in sewage systems, canals and drainage ditches. The dampers are installed at the end of the pipe or on the wall.

Due to the method of mounting, the flaps are available in 3 types:

VKZ-PS-A - with an adapter for a flat or round wall

VKZ-PS-B - with spigot end,

VKZ-PS-K - with flange drilled according to PN10 (or according to customer requirements),

MATERIALS:

Body, Flap: PEHD

Hinge, ribs: Stainless steel 1.4301 (or any other depending on customer requirements).

Gaskets: EPDM (or other material depending on working conditions, e.g. NBR, VITON or silicone).

Fasteners: A2 (or A4 if required)

MOUNTING:

Flaps are installed depending on the selected type:

VKZ-PS-A - to the wall through the holes in the adapter using adhesive or mechanical anchors.

VKZ-PS-B - at the end of the pipe by pressing into the socket of the pipe or through a sleeve.

VKZ-PS-K - by flange connection using bolts with a gasket between the flanges.

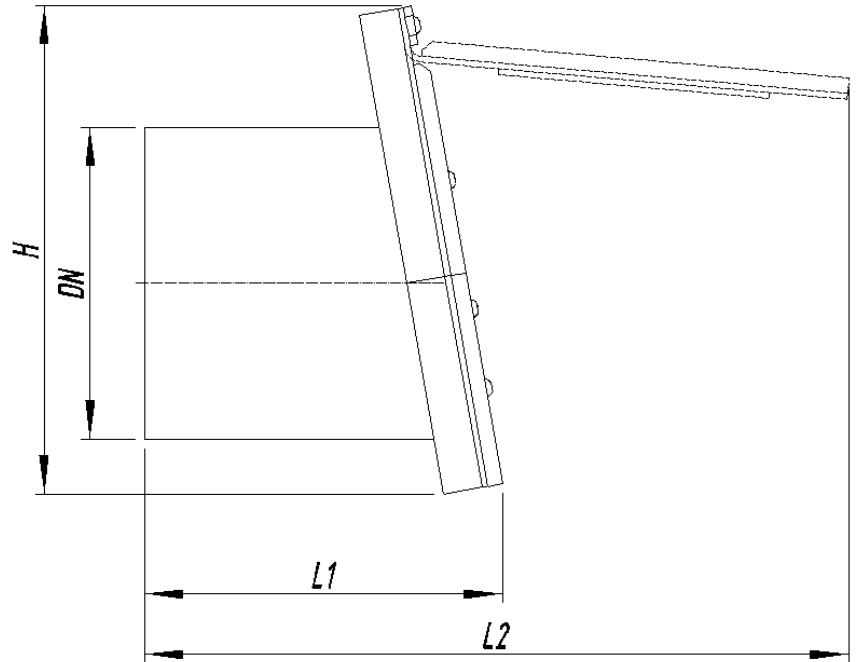
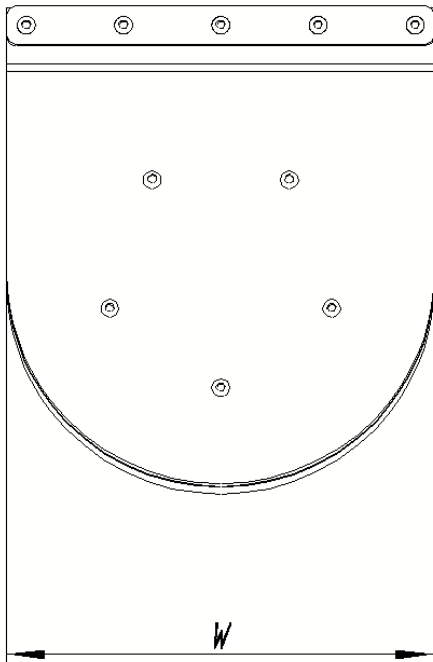
When mounting to the wall, the seal should be made of a porous EPDM gasket or SIKAFLEX type sealant.

ADDITIONAL OPTIONS:

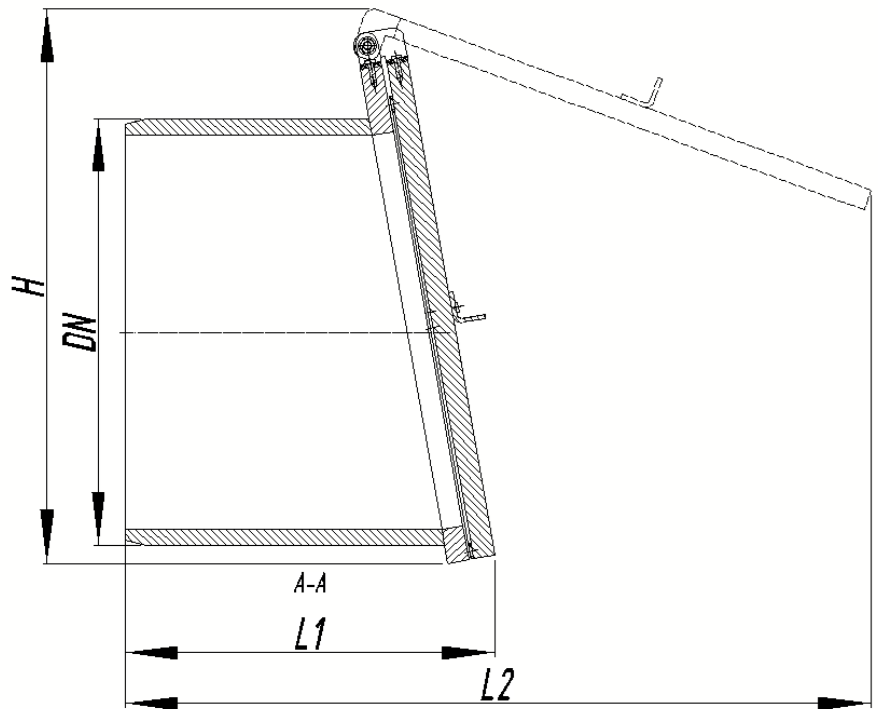
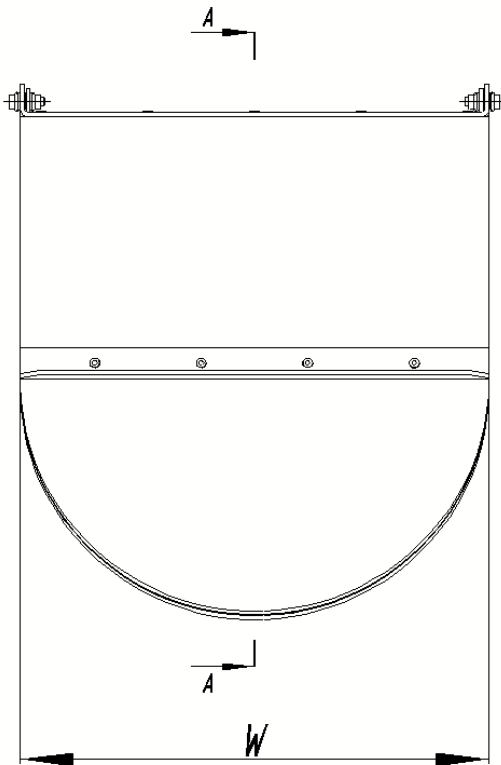
A number of additional options are available depending on customer requirements. These include, among others, a counterweight for the flap, an opening lock, an opening degree limiter, a closing spring, etc.

STANDARD DIMENSIONS (VERSION A):

Up to DN315



DN400 and bigger:



Type	Nominal Diameter DN [mm]	Flap Width W [mm]	Flap Height H [mm]	Length of the Closed Flap L1 [mm]	Length of the Opened Flap L2 [mm]
VKZ-PS 110	110	150	210	160	300
VKZ-PS 160	160	200	260	190	350
VKZ-PS 200	200	240	310	200	400
VKZ-PS 250	250	290	360	220	450
VKZ-PG 315	315	355	425	250	550
VKZ-PS 400	400	440	510	350	750
VKZ-PS 500	500	540	610	400	1000
VKZ-PS 630	630	670	750	450	1100
VKZ-PS 710	710	750	830	500	1200
VKZ-PS 800	800	840	930	500	1300
VKZ-PS 900	900	940	1030	500	1400
VKZ-PS 1000	1000	1040	1050	500	1500

*Other sizes available on individual request. It is possible to make a flap of any size.

** Vortico reserves the right to make changes to suit a specific order.

DOCUMENTATION:

Standard documentation delivered with the delivery includes: the national declaration of performance, technical and operational documentation along with the operating and assembly instructions. On request, we provide material certificates, welding documents and other according to the customer's needs.