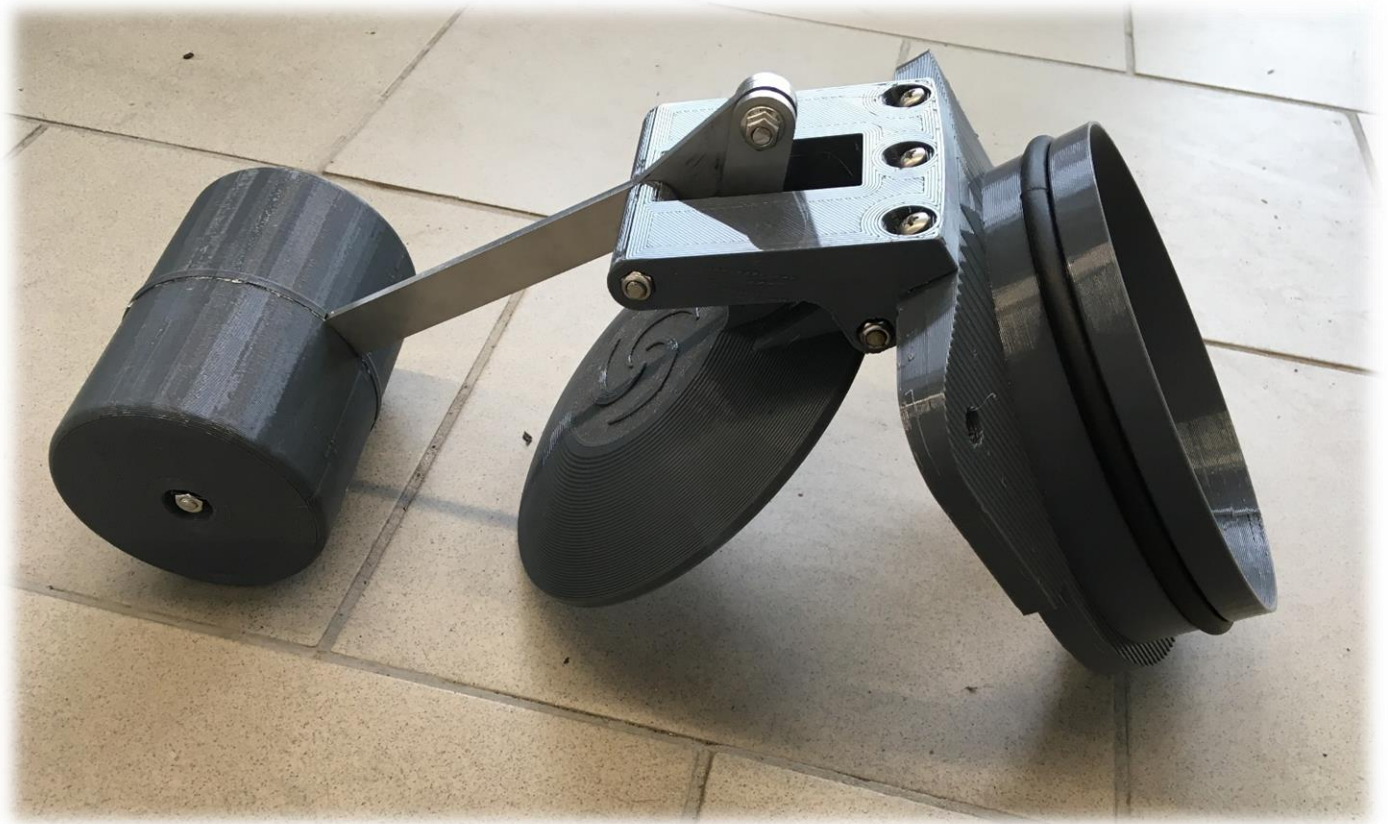


Push-in Flap Valve with Float VKZ-WP



DESCRIPTION:

VKZ-WP flap valves are used wherever protection against backflow is needed in case of water accumulation behind the valve, while ensuring free flow when the chamber is empty. Used for surface water, rainwater or sewage in sewage systems, canals and drainage ditches. Their design allows for push-fit installation into the hole in the chamber or into the spigot end of the pipe.

MATERIALS:

Body, flap and hinge: PET-G

Float arm: Stainless steel 1.4301

Gaskets: EPDM (or other material depending on working conditions, e.g. NBR, VITON or silicone).

MOUNTING:

Flaps are fitted with a push fit into a hole in the wall or spigot end of the pipe. Flap body is equipped with o-ring seals ensuring tightness. Silicone can be used to seal if necessary.

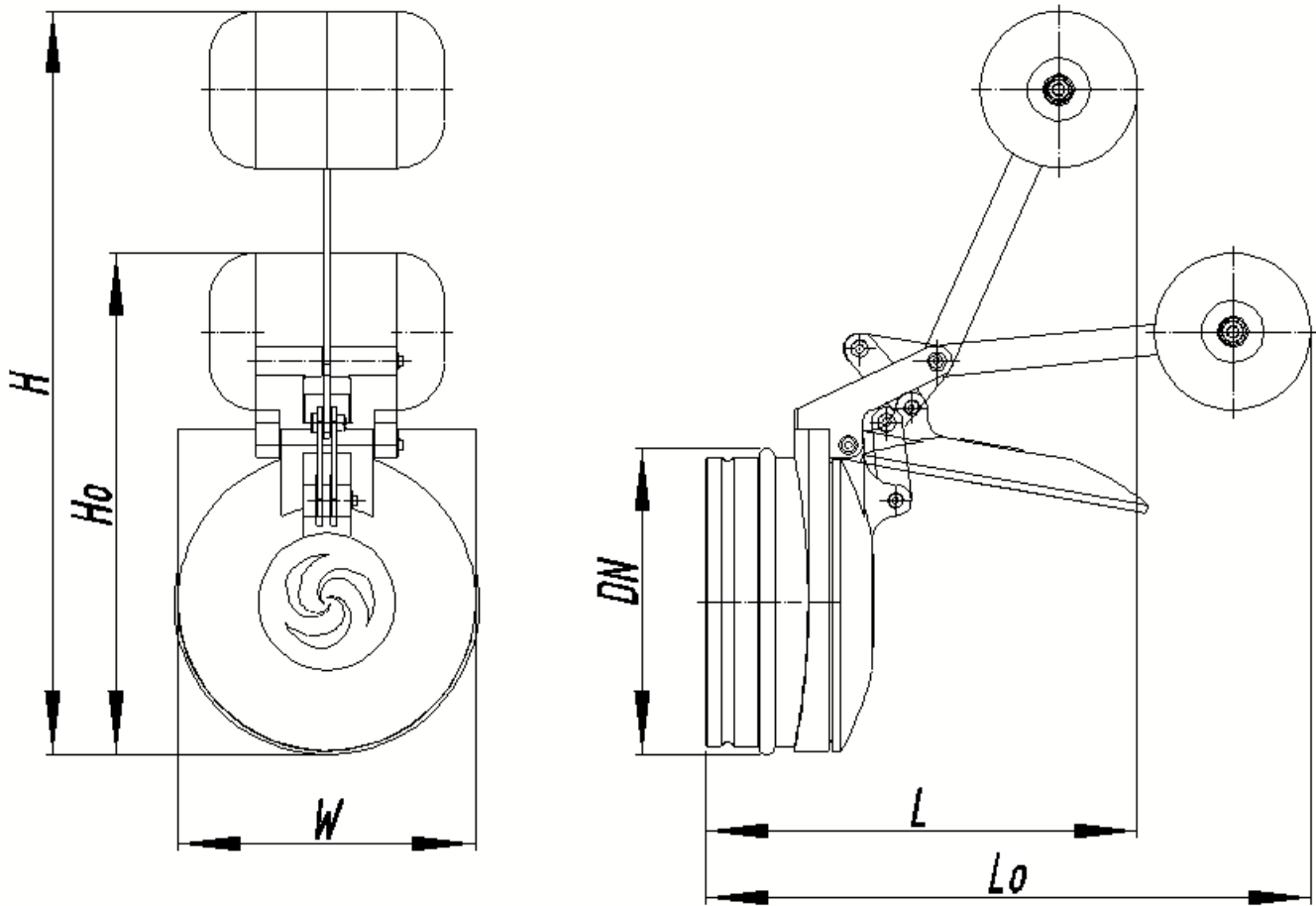
ADDITIONAL OPTIONS:

A number of additional options are available depending on customer requirements. These are, for example, mounting plates for screwing the flap to the bottom of the base etc.

DOCUMENTATION:

Standard documentation delivered with the delivery includes: the national declaration of performance, technical and operational documentation along with the operating and assembly instructions. On request, we provide material certificates, welding documents and other according to the customer's needs.

STANDARD DIMENSIONS:



Type	Nominal Diameter DN [mm]	Height of the Closed Flap H [mm]	Height of the Opened Flap H [mm]	Flap Width W [mm]	Length of the Closed Flap L [mm]	Length of the Closed Flap Lo [mm]
VKZ-WP 110	110	280	240	110	230	280
VKZ-WP 160	160	360	290	160	255	360
VKZ-WP 200	200	480	320	200	275	390
VKZ-WP 250	250	580	390	250	310	450
VKZ-WP 315	315	680	480	315	360	540
VKZ-WP 400	400	890	590	400	400	630

*Other sizes available on individual request. It is possible to make a flap of any size.

** Vortico reserves the right to make changes to suit a specific order.