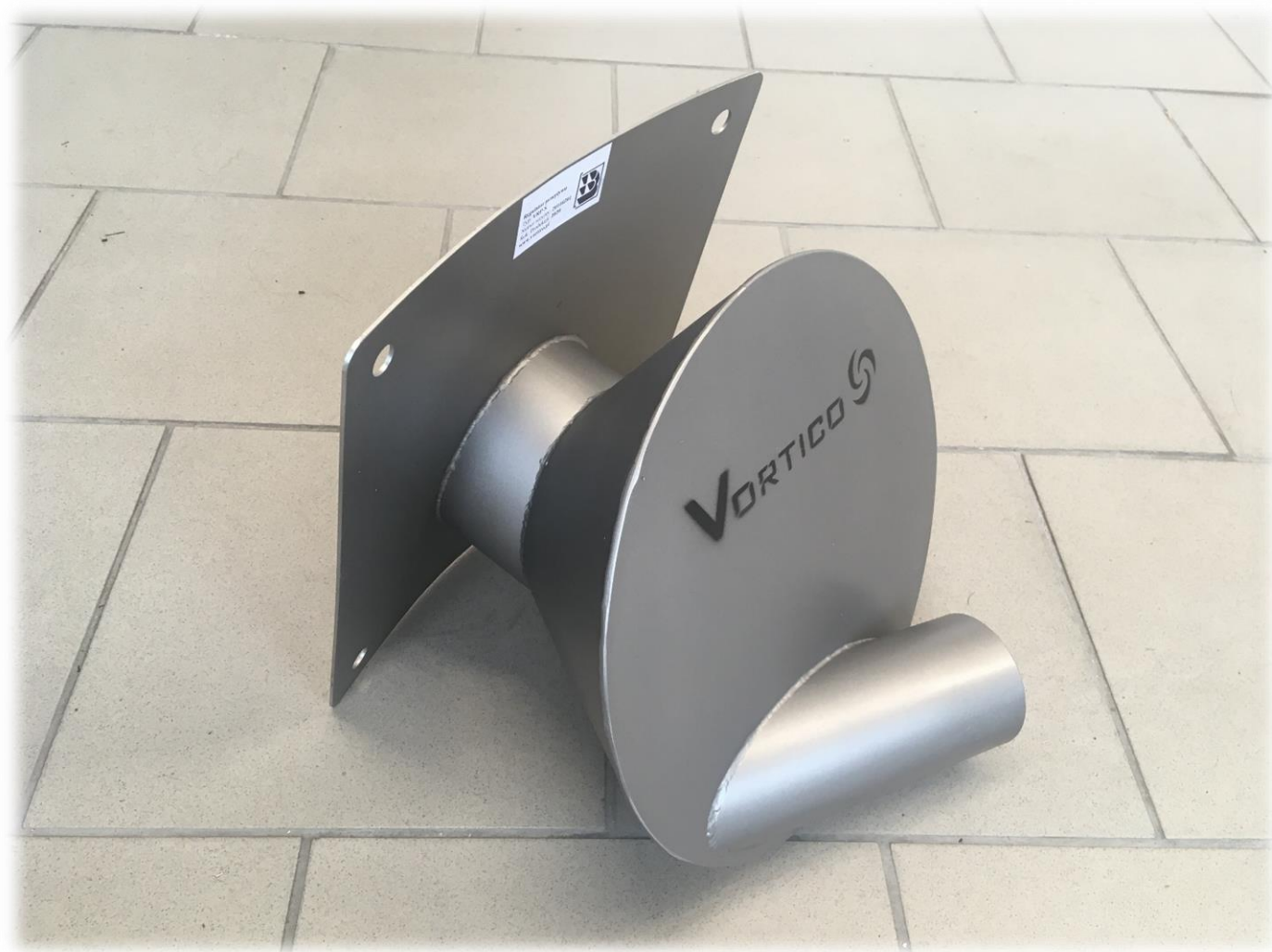


Conical Steel Vortex Flow Regulator VRP-S



DESCRIPTION:

Flow regulators are used wherever it is required to limit and control the flow in order to protect objects and devices below the place of installation against excessive amount of water.

MATERIALS:

VRP-S regulators are made of stainless steel (e.g. AISI 304/304L – 1.4301/1.4307), acid-resistant steel (e.g. AISI 316/316L – 1.4401/1.4404) or any other, depending on customer requirements and conditions at the installation site.

MOUNTING:

The VRP-S regulator is mounted by screwing it to the chamber wall using anchors. The seal between the wall and the regulator is provided by a porous EPDM gasket or one of the commonly available sealing compounds. Other mounting methods are possible, such as clamping on the pipe, sliding into the socket or spigot end of the pipe, etc.

ADDITIONAL OPTIONS:

A number of additional options are available, such as the possibility of removing the regulator using the handle, emergency closure, inspection hole, strainer at the inlet, adjustable plate changing the characteristics of the regulator or emergency overflow in the form of a tee behind the regulator.

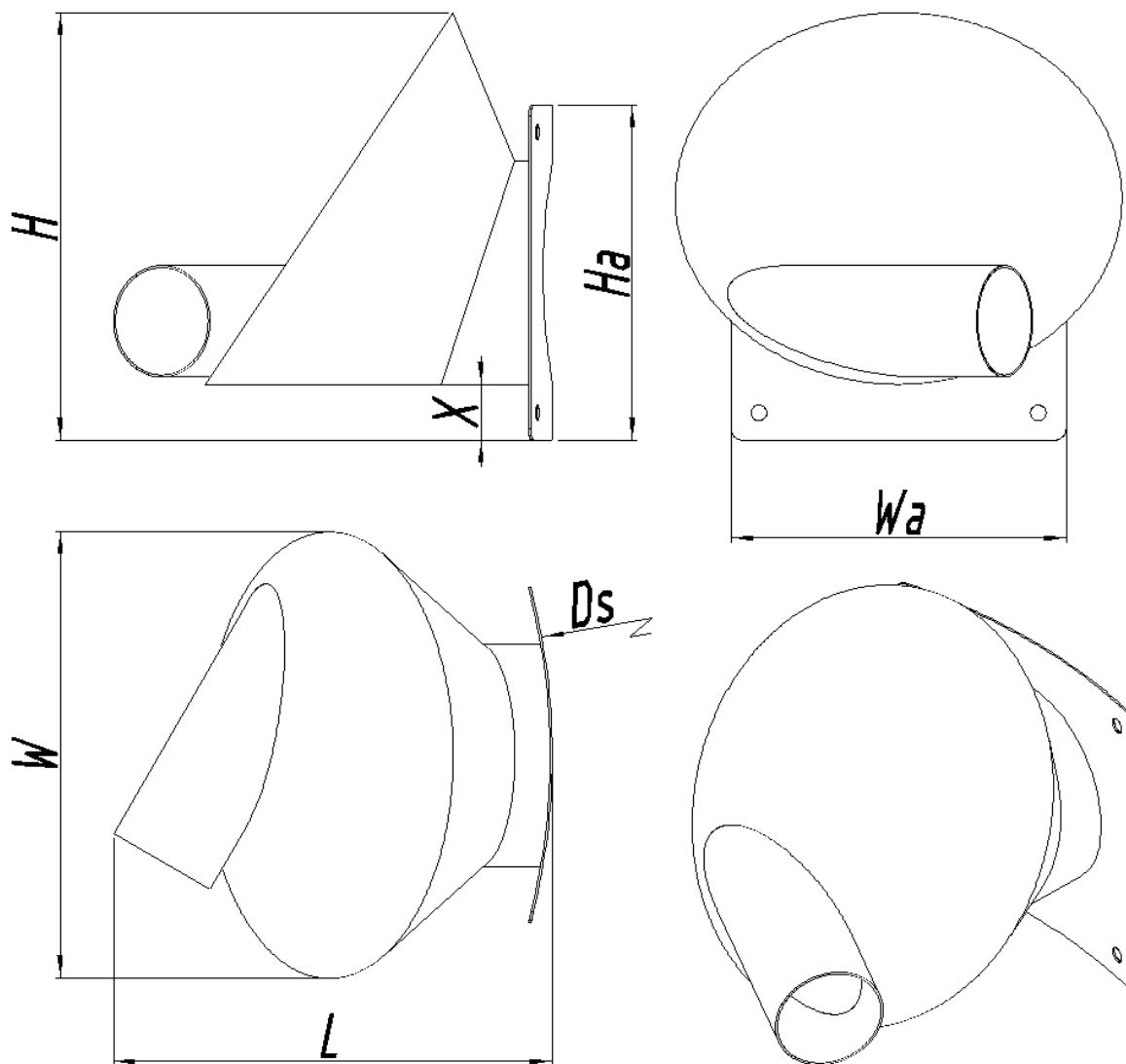
DOCUMENTATION:

Standard documentation supplied with the delivery includes: the national declaration of performance,

technical and operational documentation along with the operating and assembly instructions. On request, we provide dimensional drawings, characteristic curves, material certificates, etc.

STANDARD DIMENSIONS:

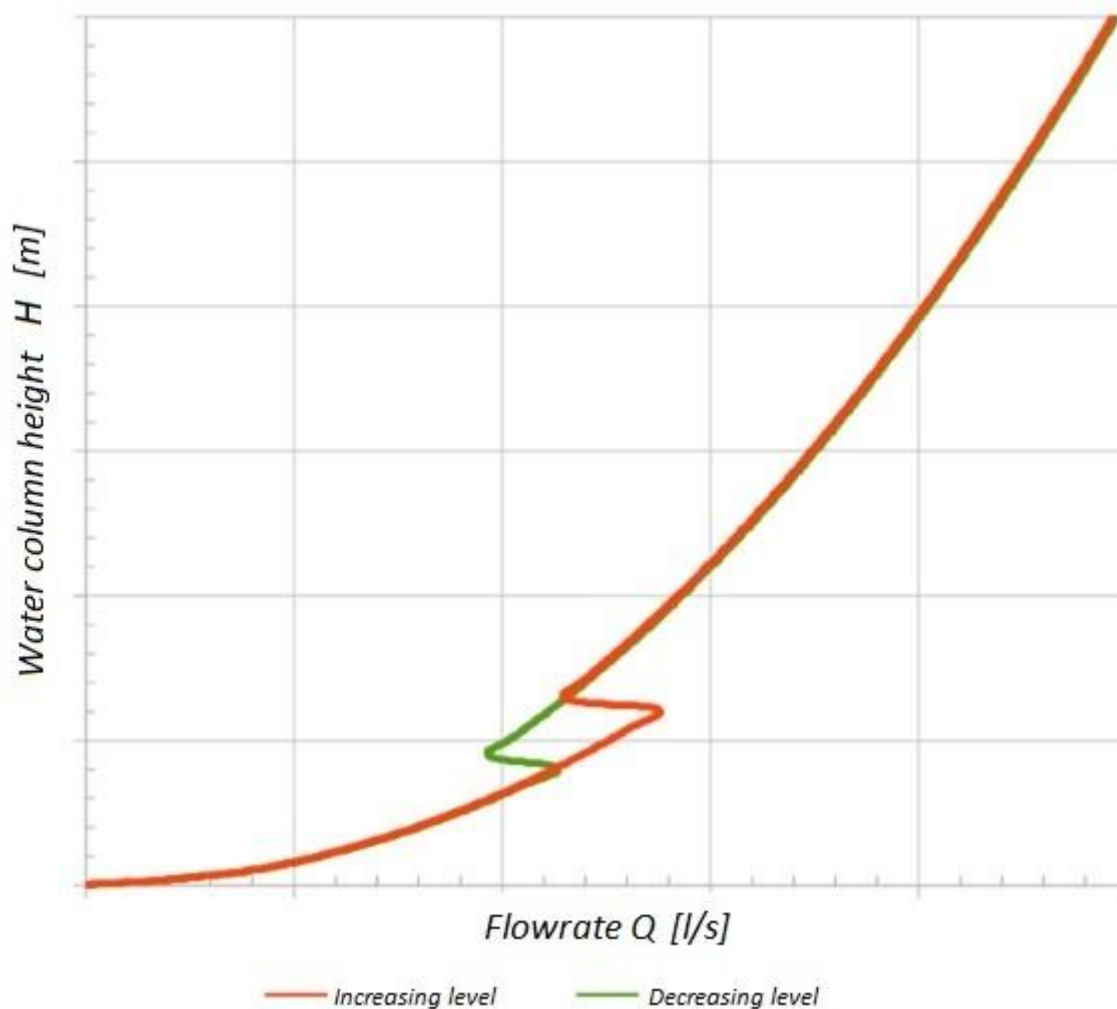
Regulators are sized individually depending on the flow parameters and the place of installation. Contact your Vortico representative for regulator selection.



REGULATOR SIZING:

Each regulator is selected individually for a specific application.

Flow Chart of Conical Vortex Flow Regulator VRP-S



The following data is required for the selection of the regulator:

- Required maximum flow [l/s] for a given water column in front of the regulator [m],
- Diameter of the outlet in which the regulator is mounted [mm]
- Chamber diameter / flat wall.
- Preferred method of installation (if other than standard)
- Material (if specific requirements apply)
- Additional options (if required)