

Knife Gate Valve PEHD VZN-A



DESCRIPTION:

Knife gate valves PEHD VZN-A are used wherever it is necessary to cut off the flow in sewage systems. Mounted directly on pipelines or to the chamber wall in the version with an adapter. Made of PEHD and stainless steel ensures full resistance to weather conditions.

MATERIALS:

Body: PEHD

Shut-off plate, ribs and spindle: Stainless steel, e.g. AISI 304/304L - 1.4301/1.4307, acid-resistant AISI 316/316L – 1.4401/1.4404 or any other depending on customer requirements and conditions at the mounting site

Gaskets: EPDM (or other material depending on working conditions, e.g. NBR, VITON or silicone).

TIGHTNESS:

Valve is tight up to 1 bar. It is possible to make valve for higher pressure on request.

Sealing class: class C (0.03mm³/s x DN) acc. PN-EN 12266-1:2012 Tab. A.

MOUNTING:

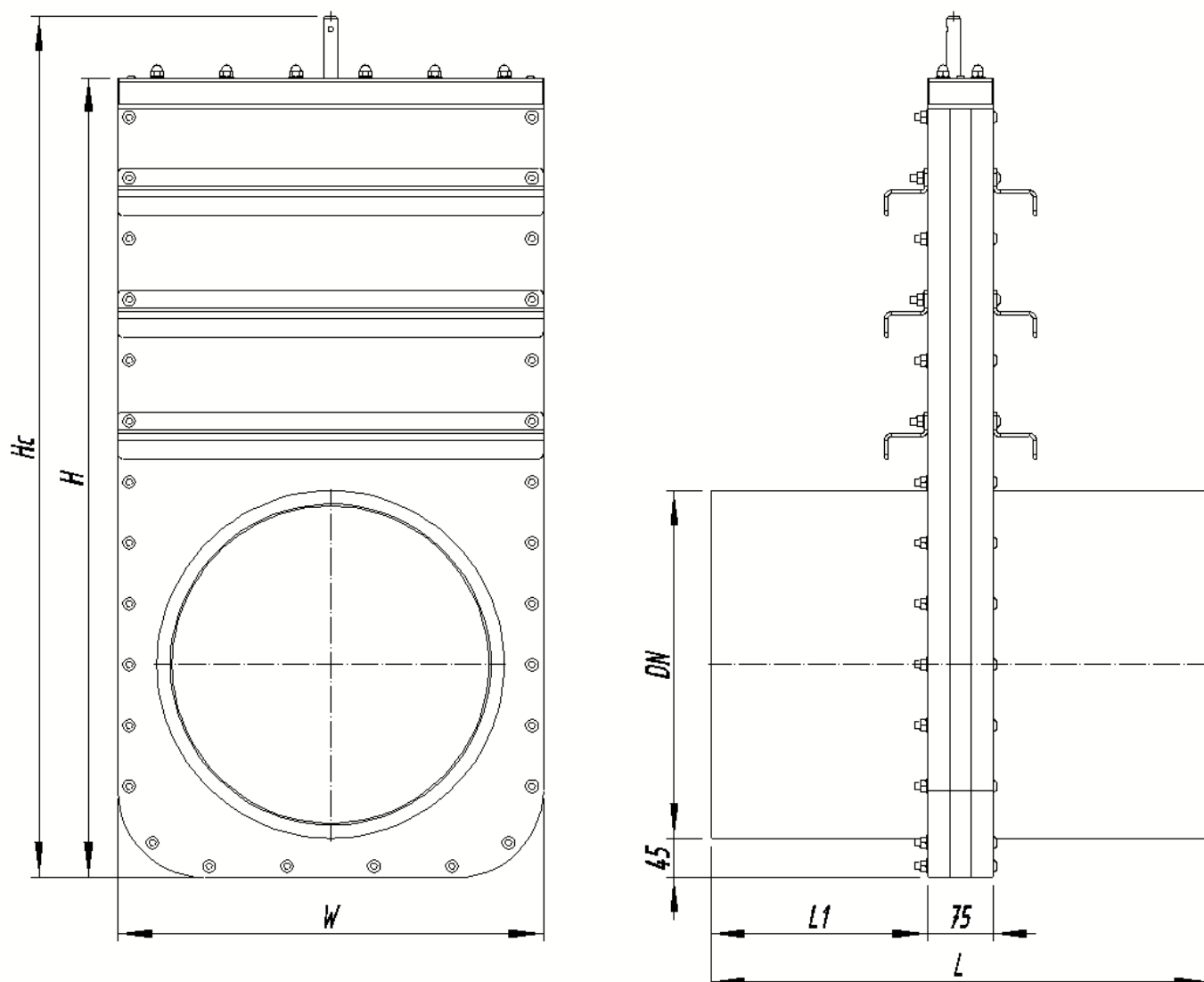
Gate valves are installed depending on the selected type:

VZN-A-A - to the wall through the holes in the adapter using glued or mechanical anchors.

VZN-A-B - at the end of the pipe by pressing into the socket of the pipe or through a sleeve.

VZN-A-K - by flange connection using bolts with a gasket between the flanges.

STANDARD DIMENSIONS:



Type	Nominal Diameter DN [mm]	Valve Height H [mm]	Total Height Hc [mm]	Valve Width W [mm]	Valve Length L [mm]
VZN-A 200	200	520	590	290	375
VZN-A 250	250	620	690	340	435
VZN-A 300	315	750	820	405	495
VZN-A 400	400	920	990	490	575
VZN-A 500	500	1120	1190	590	675
VZN-A 600	630	1380	1450	720	815

* Vortico reserves the right to make changes to suit a specific order.

**Other sizes available on individual request. It is possible to make valve of any size.