

Steel Penstock

VZS-A



DESCRIPTION:

VZS-A penstocks are used wherever it is necessary to cut off the flow or accumulate water. Used for surface water, rainwater or sewage in sewage systems, canals and drainage ditches. Made of stainless steel for full resistance to weather conditions.

MATERIALS:

Frame, shut-off plate and spindle: Stainless steel, e.g. AISI 304/304L - 1.4301/1.4307, acid-resistant AISI 316/316L – 1.4401/1.4404 or any other depending on customer requirements and conditions at the mounting site

Gaskets: EPDM (or other material depending on working conditions, e.g. NBR, VITON or silicone).

TIGHTNESS:

The penstock is tight up to 3m of water column.

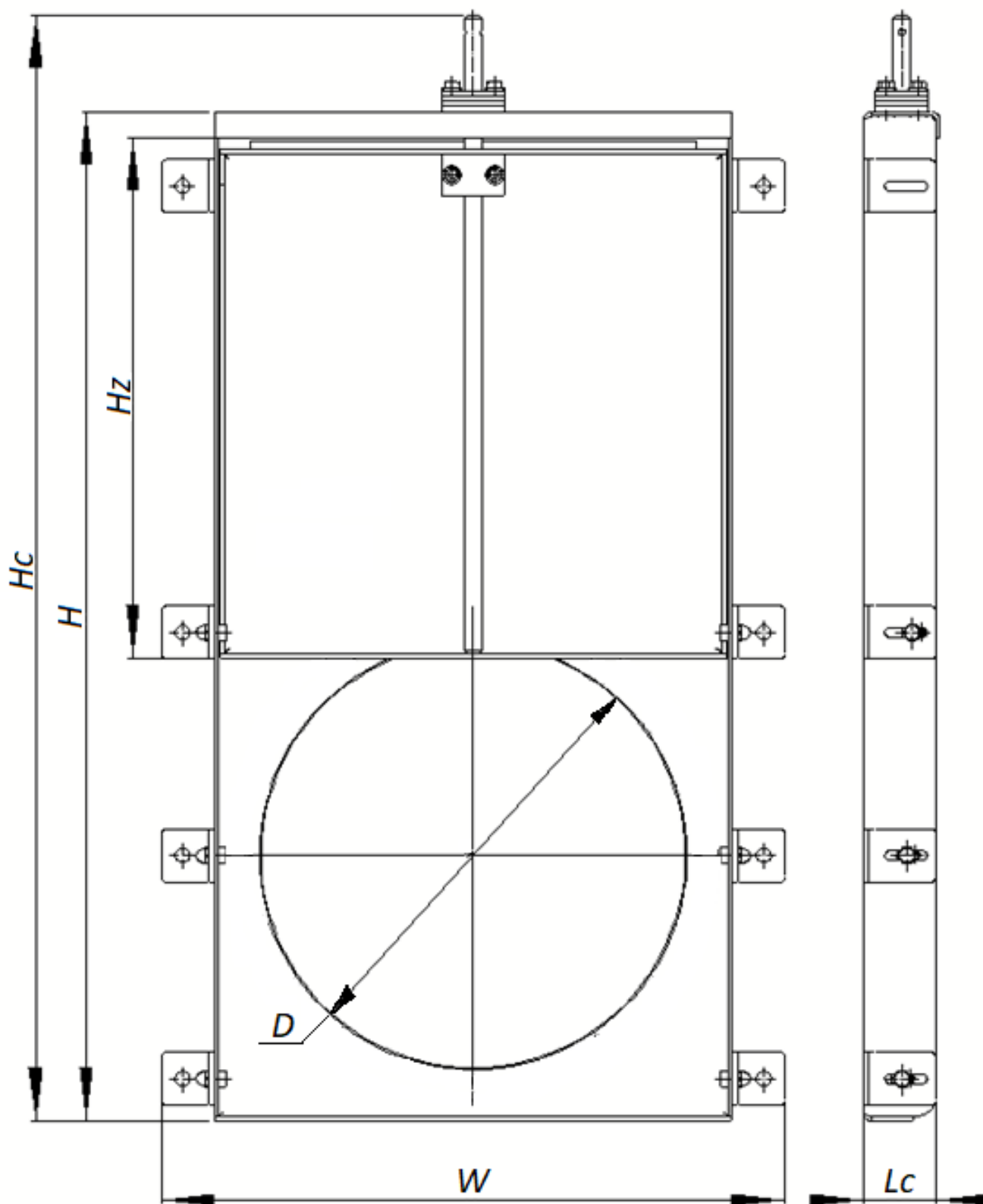
It is possible to make penstocks for higher water columns on request.

Sealing class: class C (0.03mm³/s x DN) acc. PN-EN 12266-1:2012 Tab. A.

MOUNTING:

On the wall using anchors. It is recommended to use adhesive anchors. Sealing between the penstock frame and the wall is provided by a porous EPDM gasket or SIKAFLEX type sealant.

STANDARD DIMENSIONS:



Type	Nominal Diameter DN [mm]	Penstock Width W [mm]	Shut-off Plate Height Hz [mm]	Frame Height H [mm]	Total Height Hc [mm]	Thickness Lc [mm]	Anchors Qty x Size nxd [mm]
VZS-A 200	200	360	300	550	750	100	4 x M12
VZS-A 250	250	410	350	650	850	100	4 x M12
VZS-A 315	315	475	415	780	980	100	4 x M12
VZS-A 400	400	560	500	950	1150	100	6 x M12
VZS-A 500	500	660	600	1150	1350	100	6 x M12
VZS-A 630	630	790	730	1410	1610	120	6 x M12
VZS-A 710	710	870	810	1570	1770	120	8 x M12
VZS-A 800	800	960	900	1750	1950	120	10 x M12
VZS-A 1000	1000	1160	1100	2150	2350	120	10 x M12

*Other sizes available on individual request. It is possible to make penstock of any size.

** Vortico reserves the right to make changes to suit a specific order.

DOŚTĘPNE OPCJE:

The penstock is available with a seal mounted on the frame or on the shut-off plate. It is possible to make a penstock with non-standard dimensions, including a rectangular instead of a round passage, with an elongated frame, an adapter for a round chamber, etc. The penstocks can be made in a manually lifted version by pulling the handle, or in a spindle version with a knob in the upper part of the penstock, as well as with an electric or pneumatic actuator.

DOCUMENTATION:

Standard documentation delivered with the delivery includes: the national declaration of performance, technical and operational documentation along with the operating and assembly instructions. On request, we provide material certificates, welding documents and other according to the customer's needs.